

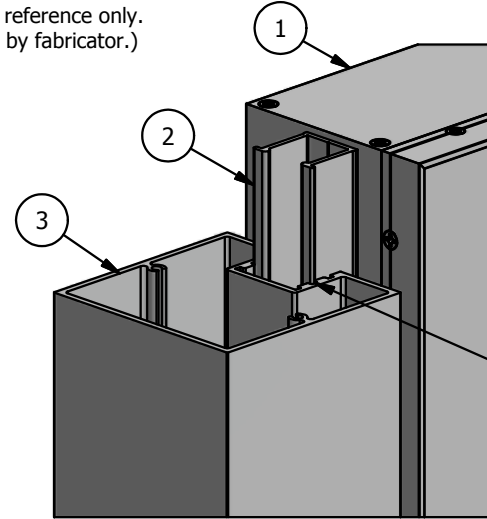
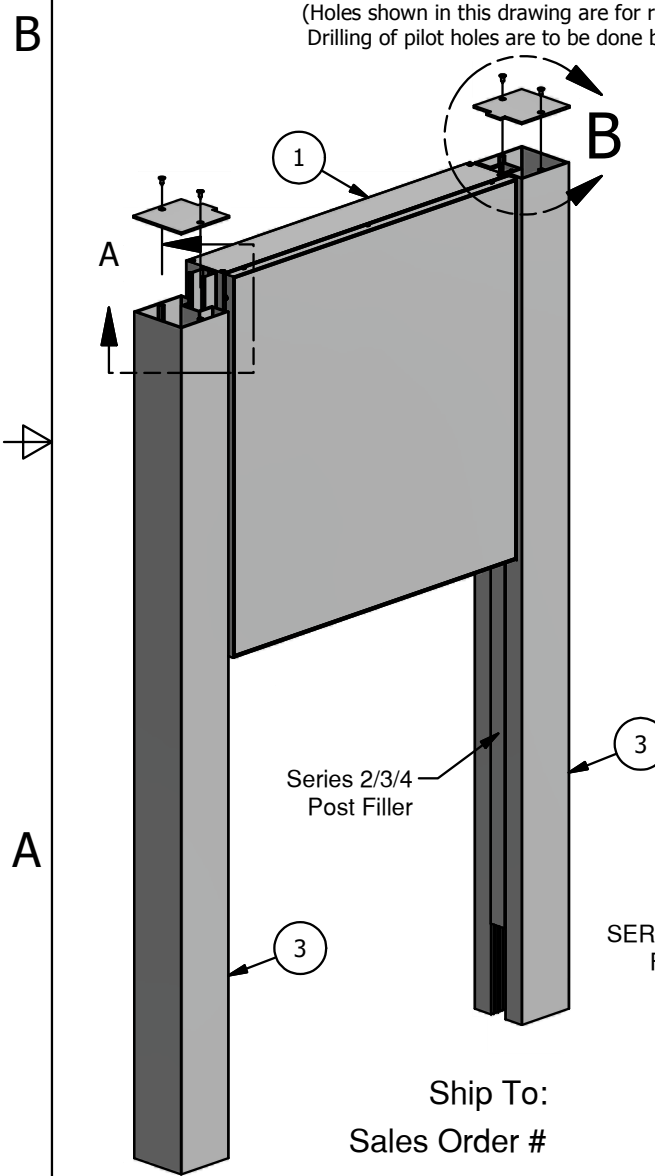
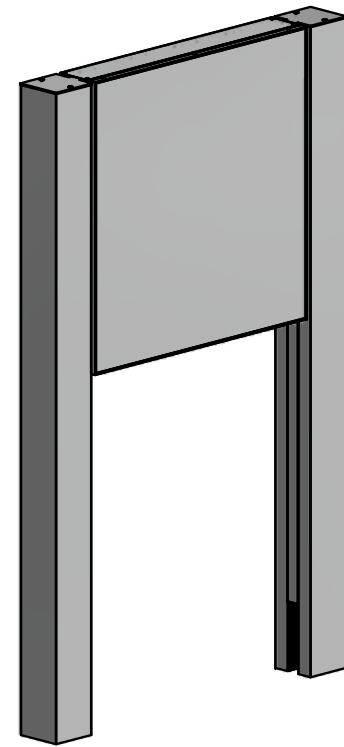
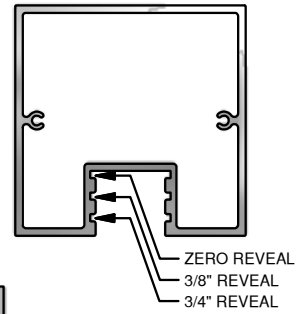
PARTS LIST

ITEM	PART #	DESCRIPTION	NOTES
1	K1391/92	Series 4 Single Face Access Body w/ Bleed Cover	Assembly
2	1200	Series 2/3/4 Reveal	Attaches to the Body
3	K1333	Series 4 Square Post	Assembly
4	5433	Series 4 Square Post Cap	3/4" Reveal Tab
41	5040	Cap Screw	#10 countersink

NOTE: PRE-CUT KITS ARE NOT PRE-DRILLED.

(Holes shown in this drawing are for reference only. Drilling of pilot holes are to be done by fabricator.)

REVEAL SETTING OPTIONS

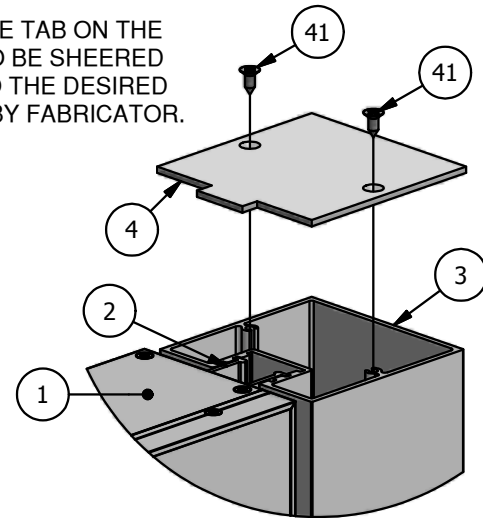
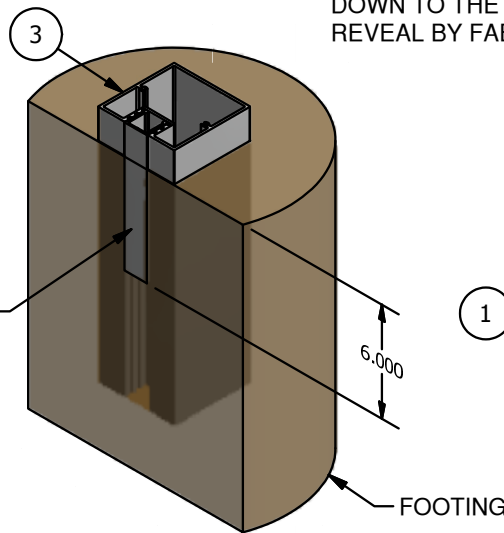


SLIDE THE BODY/CABINET ASSEMBLY INTO THE DESIRED REVEAL POSITION IN THE POST.

DETAIL A

NOTE: THE TAB ON THE CAP IS TO BE SHEERED DOWN TO THE DESIRED REVEAL BY FABRICATOR.

SERIES 2/3/4 REVEAL/POST FILLER IS CUT TO FIT 6" BELOW THE GRADE.

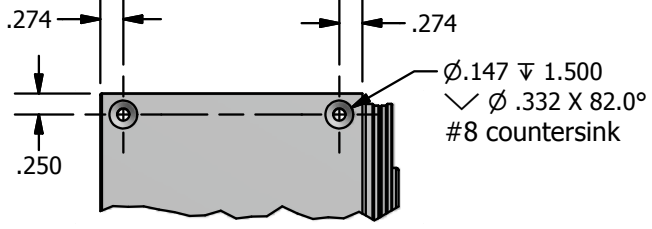


DETAIL B

Ship To:
Sales Order #

THIS DRAWING WAS CREATED AT NO CHARGE TO ASSIST YOU IN VISUALIZING OUR PROPOSAL. THE DRAWING HEREIN IS THE PROPERTY OF SIGNCOMP. PERMISSION TO COPY OR REVISE THIS DRAWING OR TO USE THIS DRAWING FOR PRODUCTION IS STRICTLY PROHIBITED AND CAN ONLY BE COPIED, REVISED OR USED FOR PRODUCTION WITH THE EXPRESSED WRITTEN PERMISSION OF SIGNCOMP.

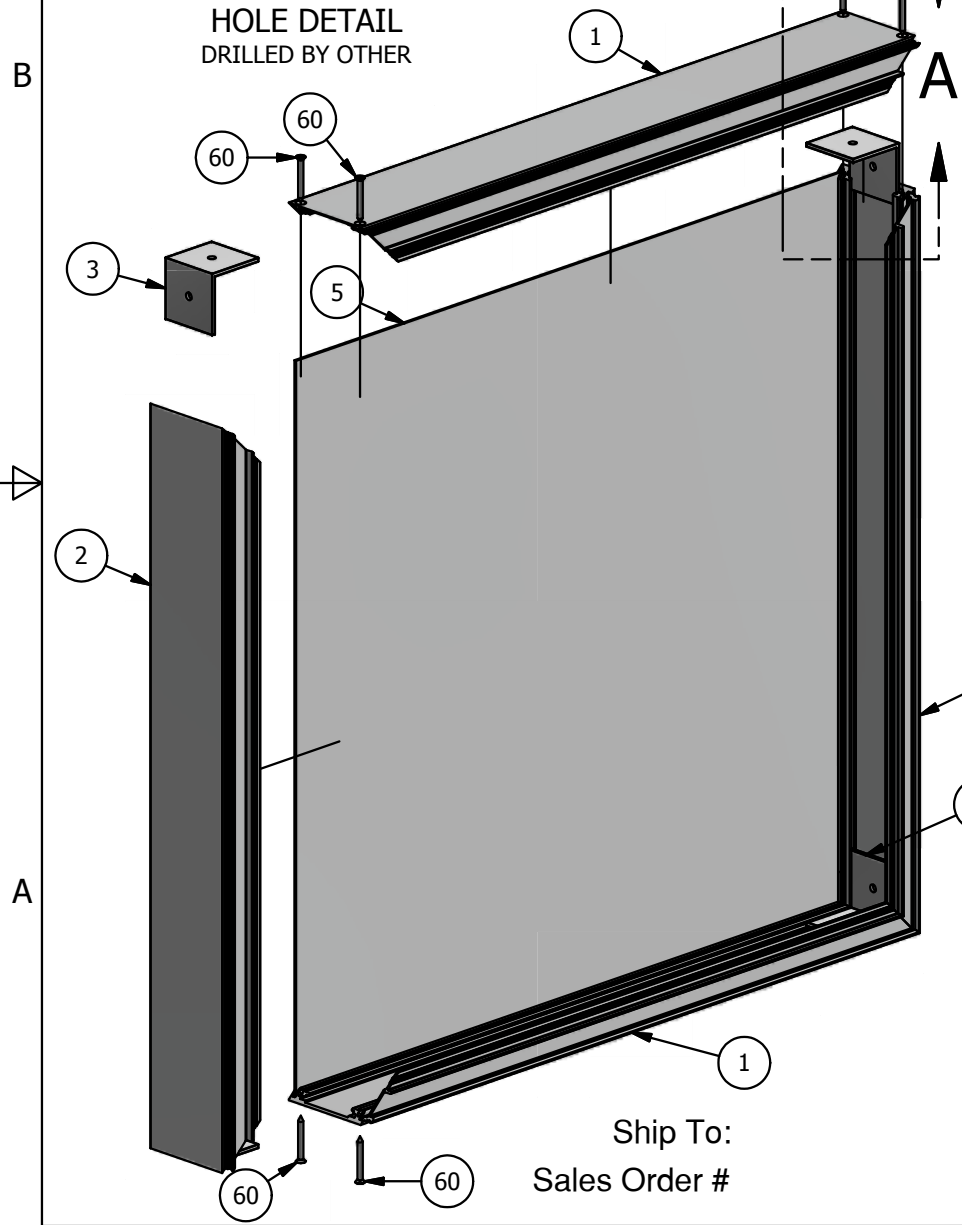
Project Name: Series 4 SF Access Body - Bleed Cvr - 4" Sq Post - Assembly	Sheet: 1 of 1	Size: A	SignComp
Sign Company: K1391/92/33	Date: 5/17/2017	Revision:	SBreihof



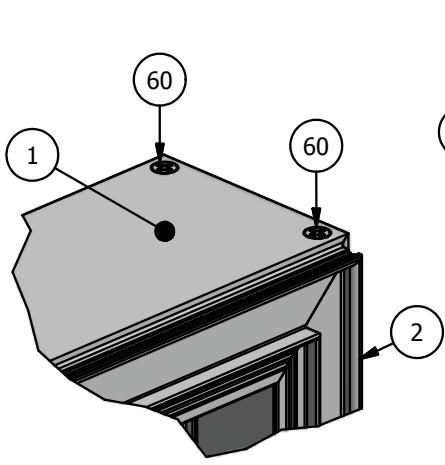
HOLE DETAIL
DRILLED BY OTHER

PARTS LIST			
ITEM	PART #	DESCRIPTION	NOTES
1	1391	Series 4 Single Face Access Body	Top & Bottom
2	1391	Series 4 Single Face Access Body	Sides
3	5340	Series 4 Access Body Corner Angle	One (1) per body corner
5		.063 Aluminum Back	By Other
60	5270	Access Body Corner Screw	See hole detail

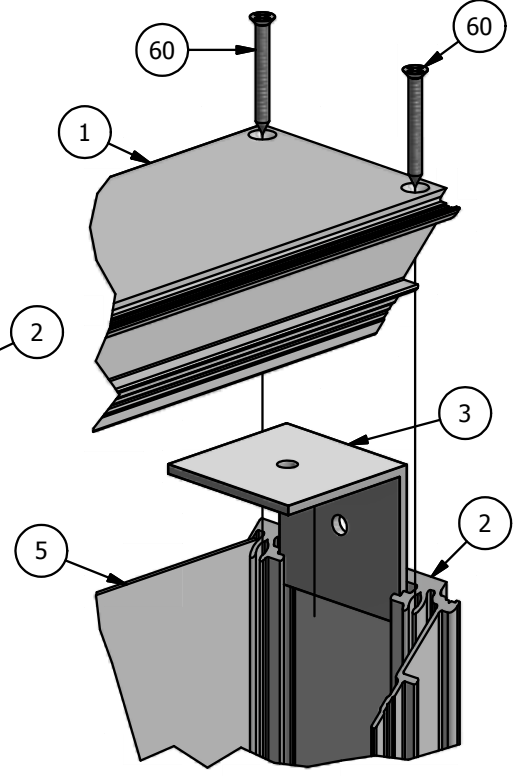
NOTE: PRE-CUT KITS ARE NOT PRE-DRILLED.
(Holes shown in this drawing are for reference only.
Drilling of pilot holes are to be done by fabricator.)



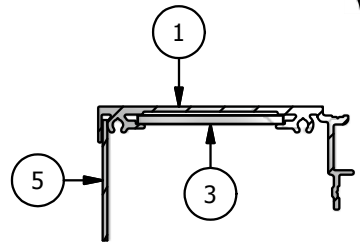
Ship To:
Sales Order #



DETAIL A-2



DETAIL A-1



CABINET SECTION-VIEW

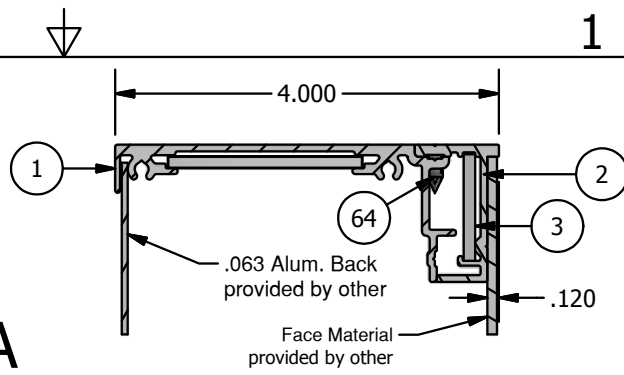
THIS DRAWING WAS CREATED AT NO CHARGE TO ASSIST YOU IN VISUALIZING OUR PROPOSAL. THE DRAWING HEREIN IS THE PROPERTY OF SIGNCOMP. PERMISSION TO COPY OR REVISE THIS DRAWING OR TO USE THIS DRAWING FOR PRODUCTION IS STRICTLY PROHIBITED AND CAN ONLY BE COPIED, REVISED OR USED FOR PRODUCTION WITH THE EXPRESSED WRITTEN PERMISSION OF SIGNCOMP.

Project Name: **Series 4 Single Face Access Body**
 Sign Company: **K1391**
 Part #: _____
 Revision: _____
 Date: **3/22/2017**
 Drawing By: **SBreihof**
 Sheet: **1 of 1**
 Size: _____

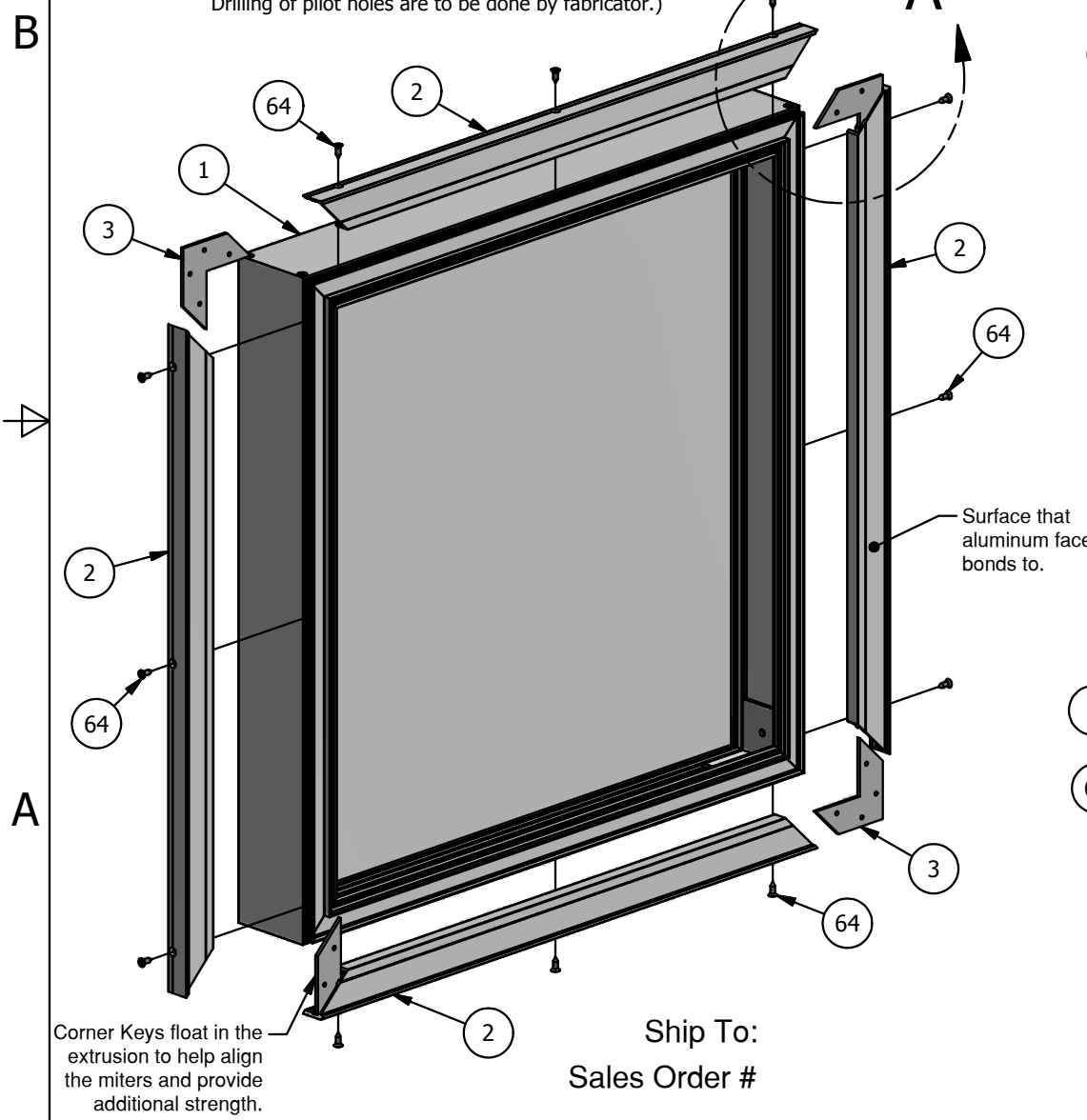


PARTS LIST			
ITEM	PART #	DESCRIPTION	NOTES
1	K1391	Series 4 SF Access Body	Assembly
2	1692	Bleed Cover	All Sides
3	5210	Corner Key	One (1) per corner
64	5168	Frameless Cover Screw	Drill #8 countersink

NOTE: PRE-CUT KITS ARE NOT PRE-DRILLED.
 (Holes shown in this drawing are for reference only.
 Drilling of pilot holes are to be done by fabricator.)

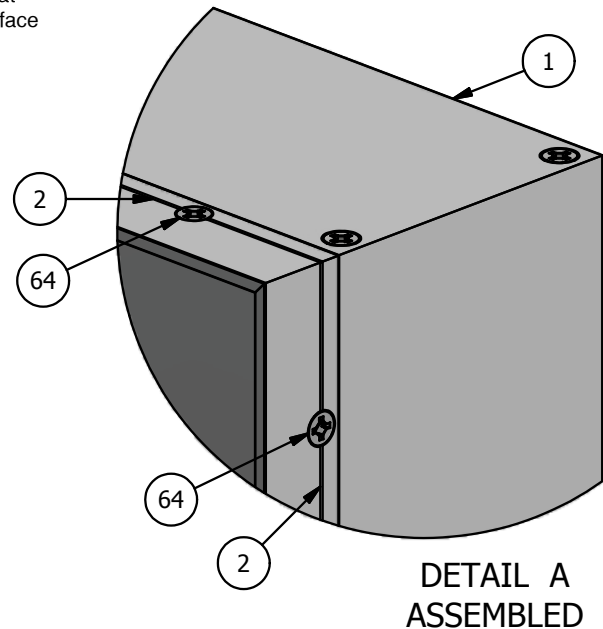
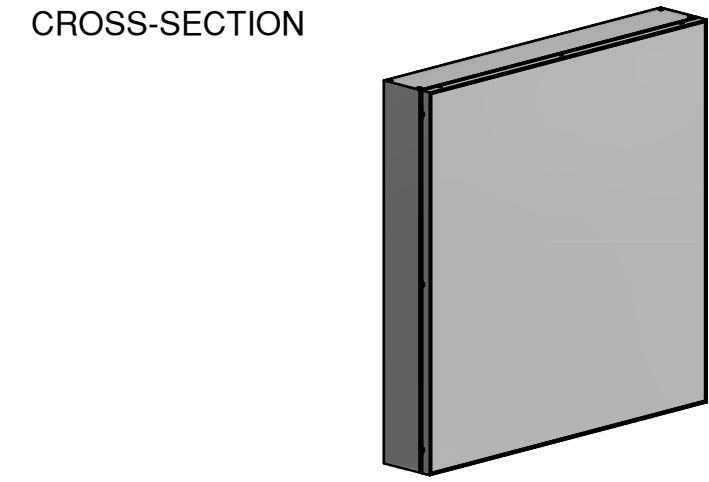


CROSS-SECTION



Corner Keys float in the extrusion to help align the miters and provide additional strength.

Ship To:
Sales Order #



DETAIL A
ASSEMBLED

THIS DRAWING WAS CREATED AT NO CHARGE TO ASSIST YOU IN VISUALIZING OUR PROPOSAL. THE DRAWING HEREIN IS THE PROPERTY OF SIGNCOMP. PERMISSION TO COPY OR REVISE THIS DRAWING OR TO USE THIS DRAWING FOR PRODUCTION IS STRICTLY PROHIBITED AND CAN ONLY BE COPIED, REVISED OR USED FOR PRODUCTION WITH THE EXPRESSED WRITTEN PERMISSION OF SIGNCOMP.

Project Name:	Series 4 SF Access Body w/ Bleed Cover - Assembly	Sheet:	1 of 1	Size:	A
Sign Company:	K1391/92	Revision:		Drawing By:	SBreihof
Part #:		Date:	5/9/2017		

SignComp

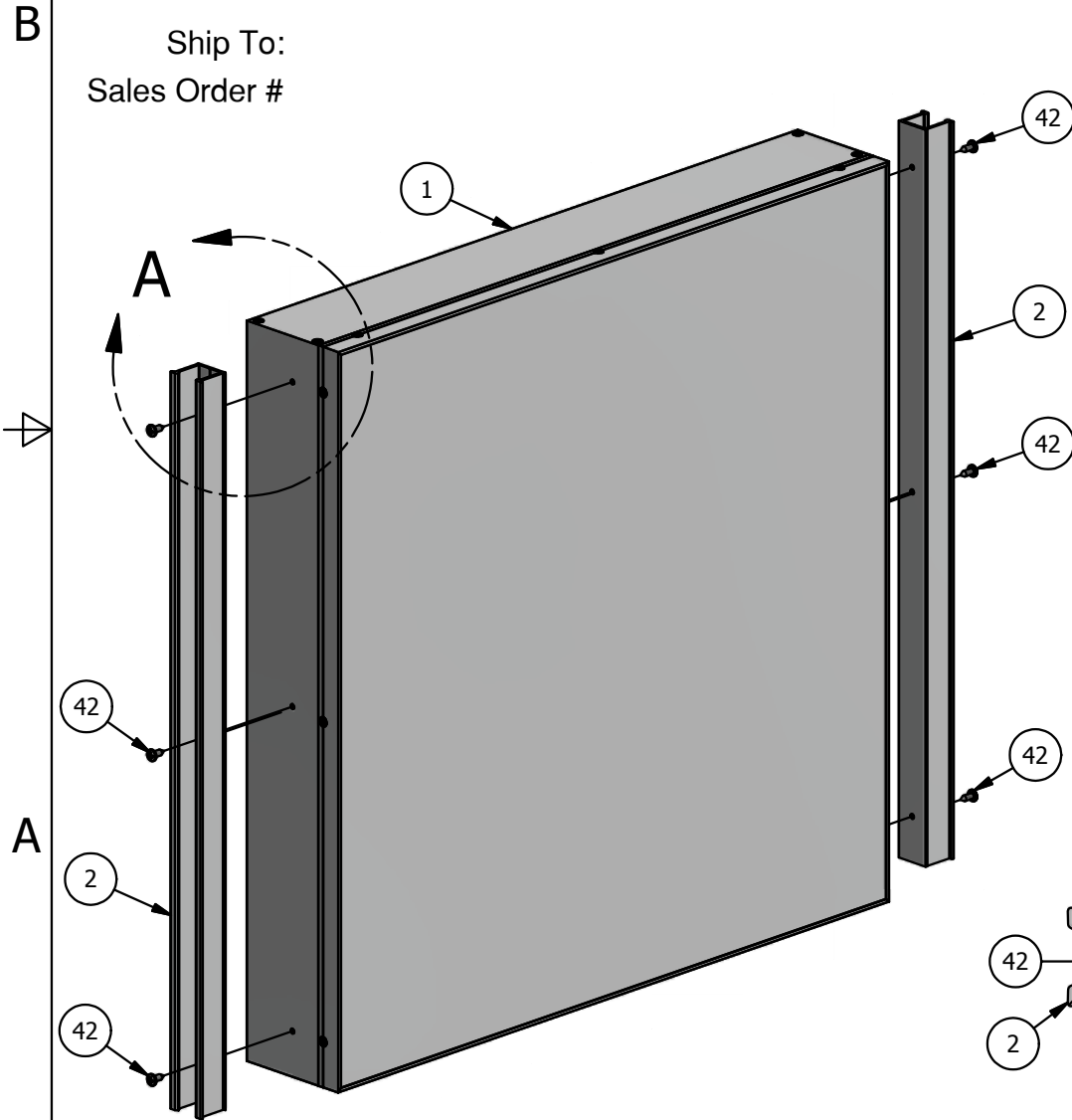
PARTS LIST

ITEM	PART#	DESCRIPTION	NOTES
1	K1391/92	Series 4 SF Access Body/Bleed Cover	Assembly
2	1200	Series 2/3/4 Reveal	
42	5218	Reveal to Body Screw	Drill 5/32" pilot hole

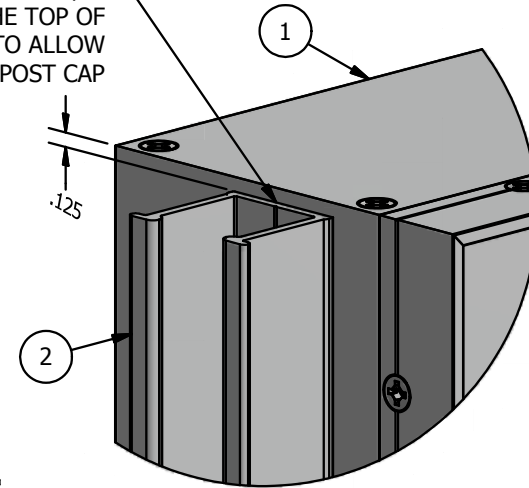
NOTE: PRE-CUT KITS ARE NOT PRE-DRILLED.

(Holes shown in this drawing are for reference only.
Drilling of pilot holes are to be done by fabricator.)

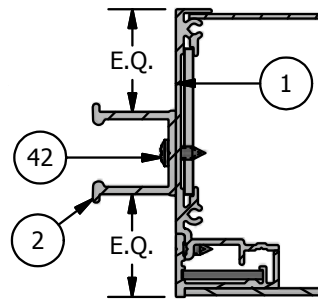
Ship To:
Sales Order #



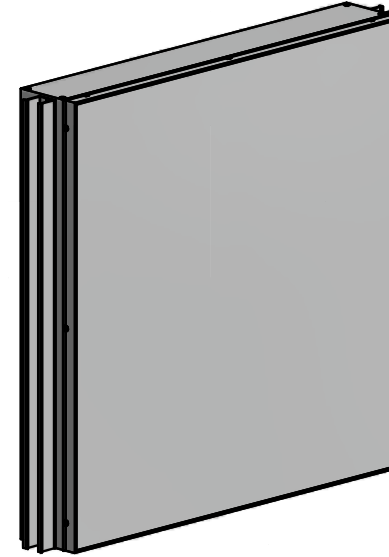
REVEAL IS FASTENED 1/8"
DOWN FROM THE TOP OF
THE CABINET TO ALLOW
FOR THE POST CAP



DETAIL A
ASSEMBLED



VERTICAL SECTION VIEW



THIS DRAWING WAS CREATED AT NO CHARGE TO ASSIST YOU IN VISUALIZING OUR PROPOSAL. THE DRAWING HEREIN IS THE PROPERTY OF SIGNCOMP. PERMISSION TO COPY OR REVISE THIS DRAWING OR TO USE THIS DRAWING FOR PRODUCTION IS STRICTLY PROHIBITED AND CAN ONLY BE COPIED, REVISED OR USED FOR PRODUCTION WITH THE EXPRESSED WRITTEN PERMISSION OF SIGNCOMP.

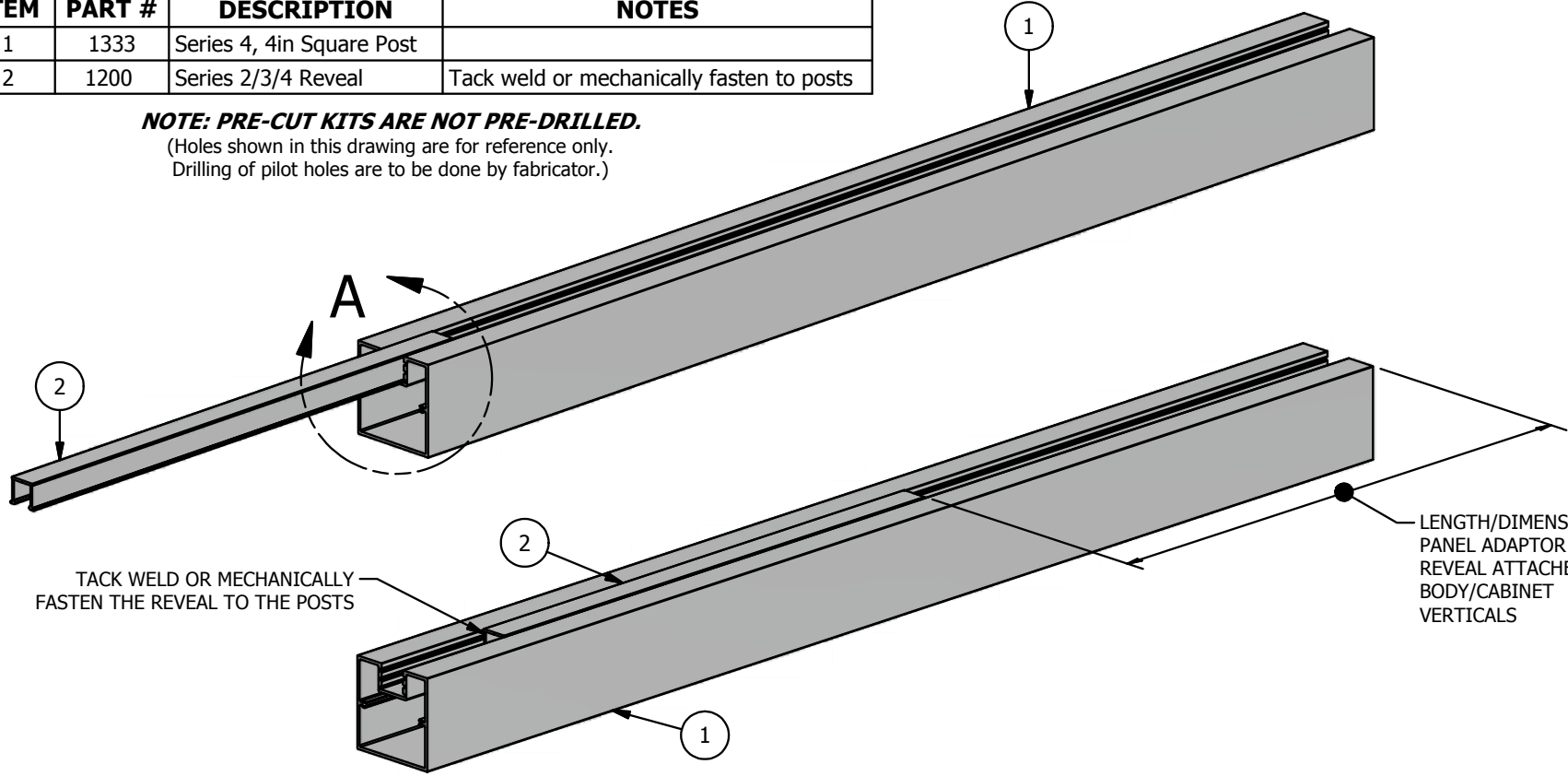
Project Name:	Series 4 SF Access Body w/ Bleed Cvr - Series 2/3/4 Reveal - Ass.
Sign Company:	K1391/92 - Reveal
Part #:	
Revision:	
Date:	10/23/2017
Sheet:	1 of 1
Size:	A
Drawing By:	SBreihof

SignComp

PARTS LIST

ITEM	PART #	DESCRIPTION	NOTES
1	1333	Series 4, 4in Square Post	
2	1200	Series 2/3/4 Reveal	Tack weld or mechanically fasten to posts

NOTE: PRE-CUT KITS ARE NOT PRE-DRILLED.
 (Holes shown in this drawing are for reference only.
 Drilling of pilot holes are to be done by fabricator.)



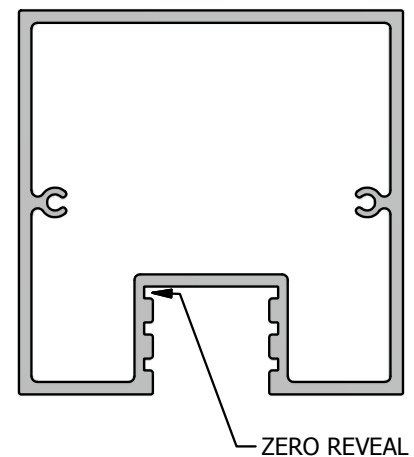
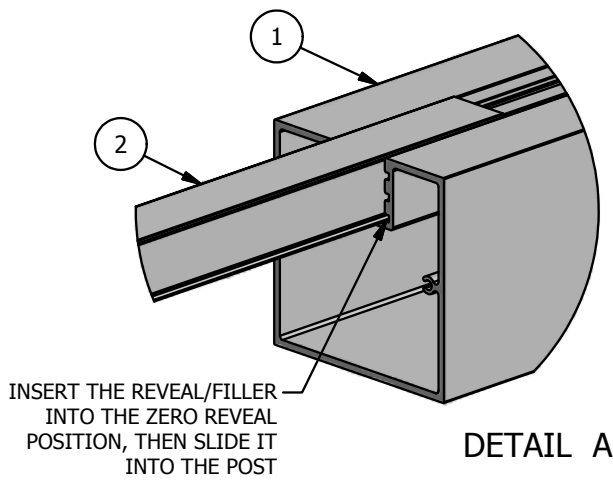
B

1

B

A

A



Ship To:
Sales Order #

2

1

THIS DRAWING WAS CREATED AT NO CHARGE TO ASSIST YOU IN VISUALIZING OUR PROPOSAL. THE DRAWING HEREIN IS THE PROPERTY OF SIGNCOMP. PERMISSION TO COPY OR REVISE THIS DRAWING OR TO USE THIS DRAWING FOR PRODUCTION IS STRICTLY PROHIBITED AND CAN ONLY BE COPIED, REVISED OR USED FOR PRODUCTION WITH THE EXPRESSED WRITTEN PERMISSION OF SIGNCOMP.

Project Name: **Series 4, 4" Square Post - Series 2/3/4 Reveal - Assembly**
 Sign Company: **1333-00**
 Part #: _____
 Revision: _____
 Date: **4/18/2017**
 Sheet: **1 of 1**
 Drawing By: **SBreihof**
 Size: **A**

